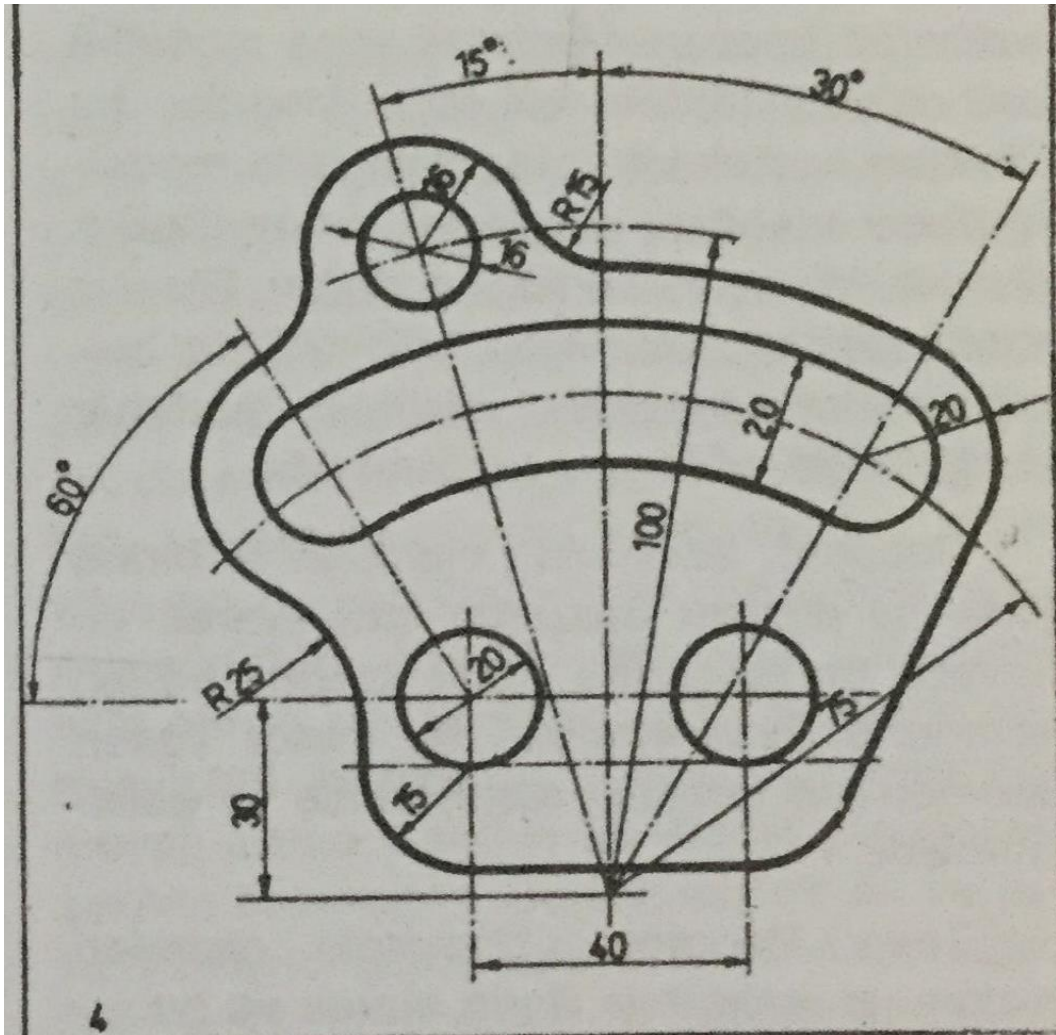
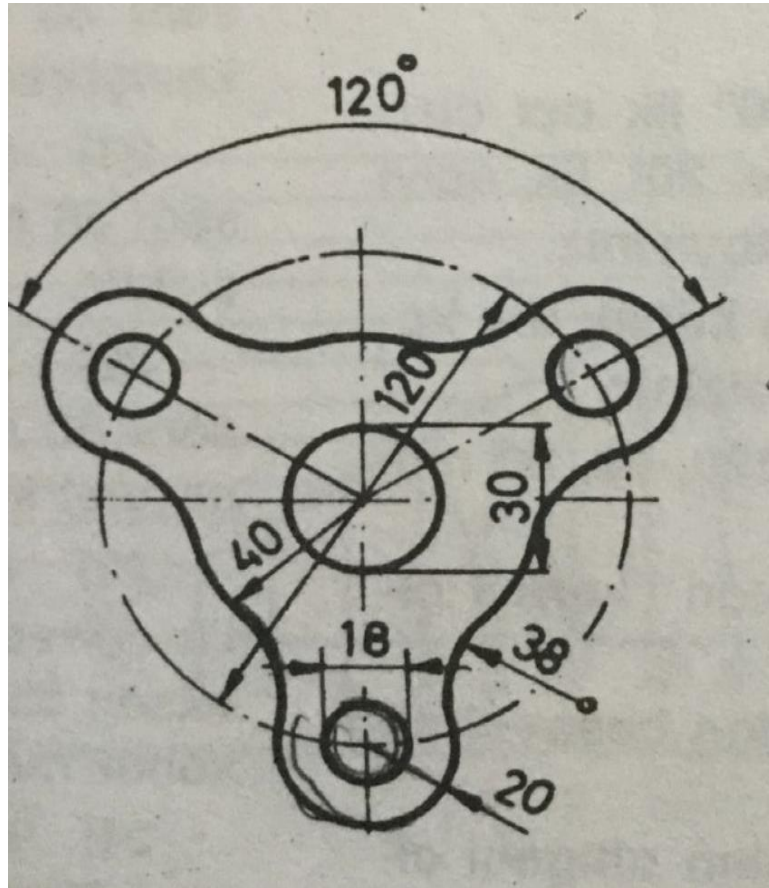


ENE 103 TECHNICAL DRAWING
2017 - 2018 AUTUMM EXERCISE SET - III

1)



2)



3)

